

ULTIMA HVS13

V Type Absolute Mini Pleat Filters

TYPICAL APPLICATION

Absolute air filtration in ventilation systems: hospitals, food industries, pharmaceutical industries.

TECHNICAL SPECIFICATION

MEDIA = Glass fibre paper.

SEPARATORS = Cotton threads with hot melt gluing.

FRAME = Galvanized steel with foldable handle.

SEALANT = Two components cold moulded polyurethane.

GASKET = One piece gasket.

Thanks to the large filtering surface, the polyhedral filters have a longer service time and higher flow rate than standard deep folded filters.

EFFICIENCY

BS EN 1822 FILTRATION CLASS		
CLASS	Filters global efficiency % for MPPS particles	Local efficiency % for MPPS particles
H13	≥ 99.95 %	99.75 %

TEMPERATURE = 80°C max.

RELATIVE HUMIDITY = 100% max.

TESTING = Each filter individually tested.

ENVIRONMENTAL STANDARD



EMS 81914

BS EN ISO 14001:2004



FM 29257

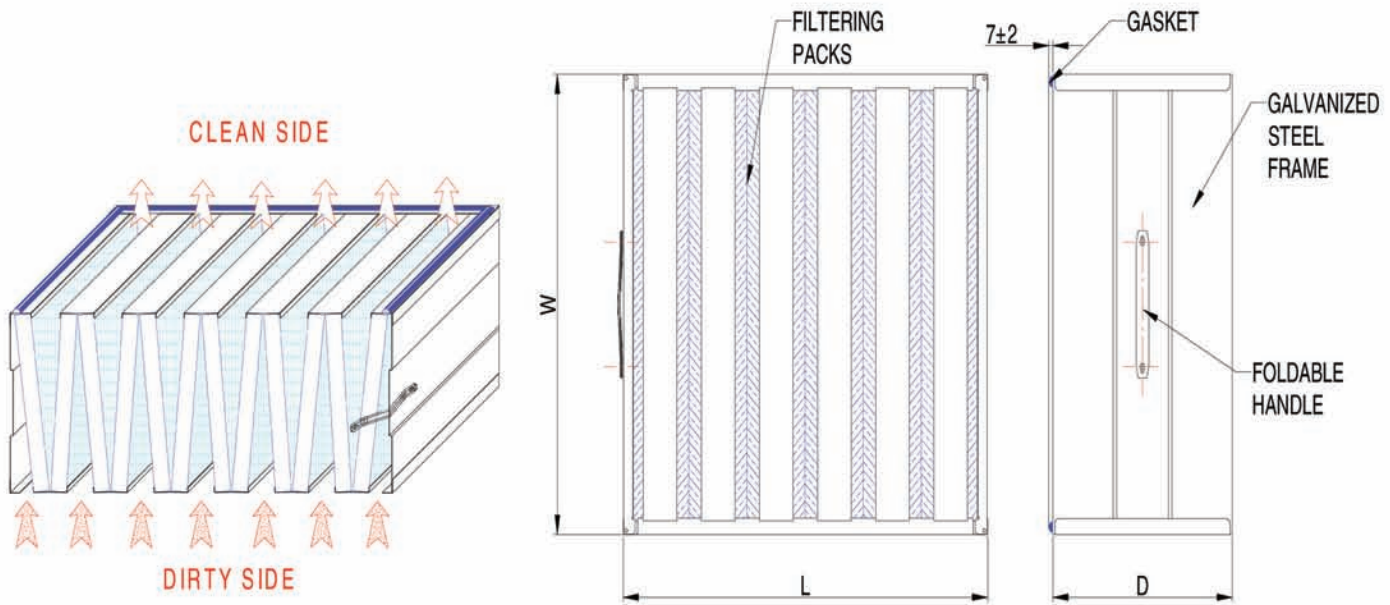
BS EN ISO 9001:2000

Jasun Filtration Plc
Riverside House, Parrett Way
Bridgwater TA6 5LB
United Kingdom

Tel: +44 (0) 1278 452277
Fax: +44 (0) 1278 450873
info@jfilters.com
www.jfilters.com

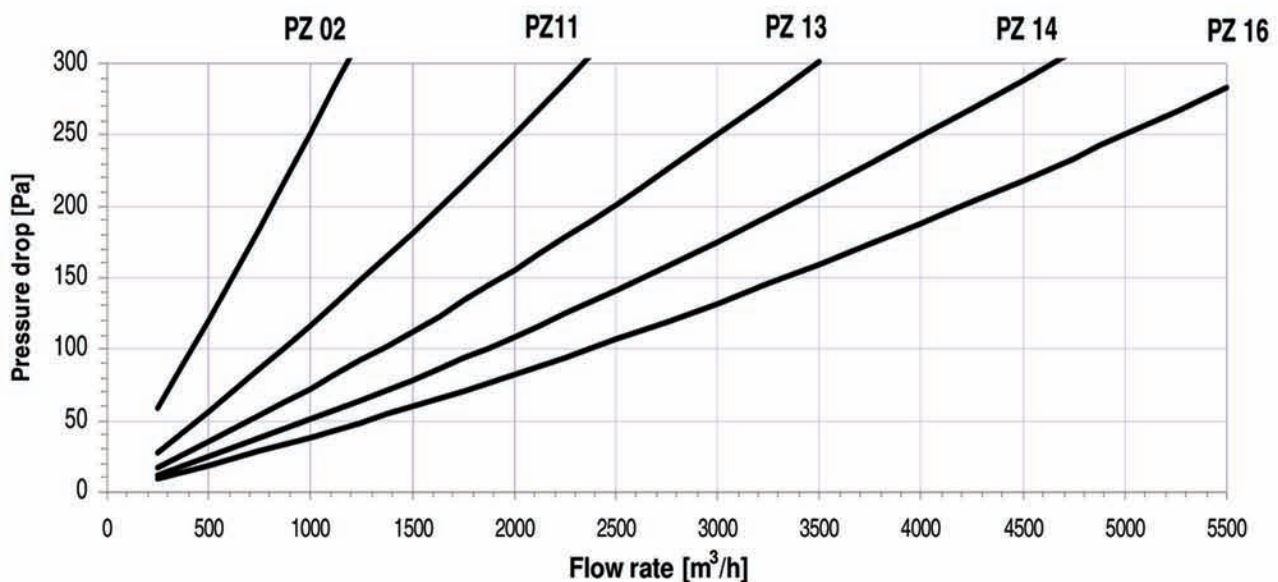
Issue 1/06

ULTIMA HVS | 3 Standard Sizes



CODE	Dimensions W x L x D mm	Flow rate m ³ /h	Filtering surface m ²	Initial pressure drop Pa	Volume m ³	Weight kg
PZ 02 ST 00	305 x 305 x 292	1000	10.0	250	0.028	7.50
PZ 11 ST 00	305 X 610 X 292	2000	21.0	250	0.055	11.50
PZ 13 ST 00	457 X 610 X 292	3000	31.0	250	0.082	16.50
PZ 14 ST 00	610 X 610 X 292	4000	42.0	250	0.110	20.50
PZ 16 ST 00	610 X 762 X 292	5000	52.0	250	0.136	29.00

Pressure drop as a function of the air flow rate



- ⇒ Recommended final pressure drop ≤ 600 Pa
- ⇒ Maximum final pressure drop ≤ 1000 Pa